

PROVIDING SAFETY

WIJ BESCHERMEN
uw meest belangrijke kapitaal
UW MEDEWERKERS





ZEUS

ENABLING/OPERATIONAL UNIT

Operational unit

ZEUS enabling switch with operational unit

Products for Robots and Machine Safety

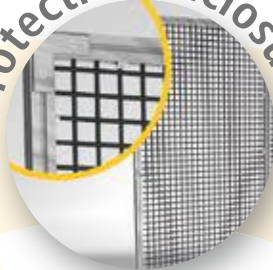
Safety System Products is exactly the right address for you

Enabling/operational unit

Robot System Products



Protective enclosures



Safety relays



Safety PLC



Safety barriers



Safety guard lockings



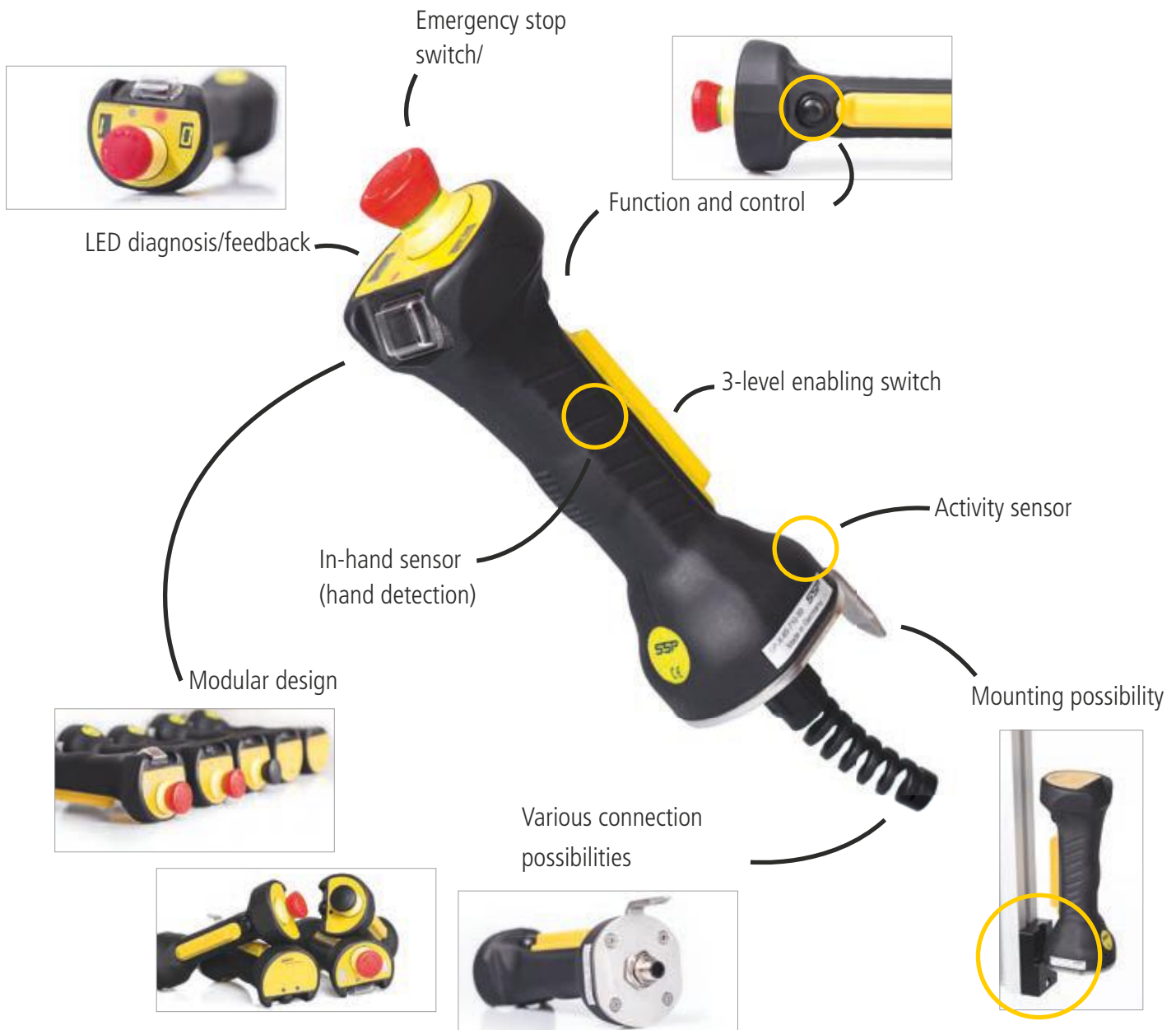
Magnetic guard lockings



Emergency stop button



ZZEUS



Enabling - ergonomic and safe

If it is necessary to provide the operator a special operating mode for work such as commissioning, maintenance, repair or process set-up, important legal requirements must be observed.

The enabling mode has proven effective. In this operating mode, the machine operator has the option to bypass certain safety devices, like safety doors, by selecting the operating mode and actuating the enabling unit.

The important point here is the three-level function. The enabling unit allows certain hazardous movements only in the middle position and with additional precautions. If

the operator releases the unit or pushes it into the Level 3, the system switches off for safety.

ZEUS guarantees a fatigue-free work thanks to its ergonomic design and low weight. It is suitable for left-handed or right-handed operators and easy to operate even when wearing gloves.

Important features

- Ergonomic design
- Dimensions 186 × 70 mm
(without mounting bracket and emergency stop switch)
- Robust housing in IP65 and IP67
- Modular design
- Standard delivery of 10 m connection cable (stop switch configurations with M12 8-pole plug)
- Individual connection via terminal block

Additional functions

- Operation of up to 120 axes/functions
- Extended LED diagnosis
- Increased protection against manipulation
- in-hand sensor (hand detection)
- "Operation monitoring" with activity sensor
- Rocker/function button
- Large selection of plug connectors



Information

Please observe following requirements during configuration of your enabling switch:
The emergency stop switch cannot be configured with a plug connector acc. to EN ISO 13850.



Type code **ZEUS 10-15 15 31**

emergency stop/stop switch	connection	diagnosis	control keys
0 no emergency stop switch 0 no function (top)	0 with fixed connection	0 no LED	0 no button
1 with emergency stop switch 2 with stop switch	1 for individual connection	1 red/green LED	1 front button 2 top button 3 button front and top 4 rocker button 5 front button and rocker button

Order data

Enabling/operational unit with control functions

Denomination	Item	Item Number
ZEUS 00-00 05 00	enabling switch, 10 m cable	SP-X-85-900-01
ZEUS 01-00 00 00	enabling switch, individual wiring	SP-X-85-900-02
ZEUS 00-00 01 00	enabling switch, spiral cable 0.5 m/2.5 m	SP-X-85-900-03
ZEUS 00-11 11 00	enabling switch, 1 control key, spiral cable 0.5 m/2.5 m	SP-X-85-900-04
ZEUS 00-13 11 00	enabling switch, 2 control keys, spiral cable 0.5 m/2.5 m	SP-X-85-900-05
ZEUS 11-13 15 30	enabling switch, 2 control keys, sensor function, 10 m cable	SP-X-85-900-06
ZEUS 10-00 05 00	enabling switch, emergency stop switch, 10 m cable	SP-X-85-900-07
ZEUS 11-00 00 00	enabling switch, emergency stop button individual wiring	SP-X-85-900-08
ZEUS 11-14 15 31	enabling switch, emergency stop switch, control and sensor function, 10 m line	SP-X-85-900-09
ZEUS 01-14 1A 31	enabling switch, control and sensor function, M23 19-pole plug	SP-X-85-900-10
ZEUS 20-00 07 00	enabling switch, stop switch black, M12 8-pole plug	SP-X-85-900-11
ZEUS 21-00 00 00	enabling switch, stop switch black, individual wiring	SP-X-85-900-12

*additional configurations are available on request.

ZEUS equipment

Denomination	Item	Item Number
ZEUS H	holding bracket for ZEUS enabling/operational unit	SP-X-85-800-00

Safe Control Technology

Denomination	Item	Item Number
MOSAIC M1	safety PLC	SP-R-11-000-00
Safety relay S	Safety relay for emergency off and safety door applications	SP-S-00-001-02
Safety relay T	Safety relay with integrated time delay	SP-S-00-002-02

base plate	wiring	sensor functions	control functions
0 base plate without mounting bracket		0 no connection line	0 no function (bottom)
1 base plate with mounting bracket	1 spiral line 0.5 m/2.5 m 2 spiral line 1 m/5 m 3 spiral line 2 m/10 m 4 connection line 5 m 5 connection line 10 m 6 M12 5-pole plug 7 M12 8-pole plug 8 M12 12-pole plug 9 M23 12-pole plug A M23 19-pole plug B special item	1 activity sensor 3 in-hand and activity sensor	1 32 control functions 2 120 control functions

Individual selection, control and detection

Maximum operating comfort and reliable protection against manipulation



Control functions



Support bracket & spiral cable



Hand detection with in-hand sensor

With the operating terminal ZEUS enabling/operational unit, up to 120 functions can be triggered in the binary-coded, such as axes, valves or grippers. The seven-segment display integrated in the interface indicates the selected function and makes the operation easier for you. The extended LED diagnosis provides you a helpful feedback.

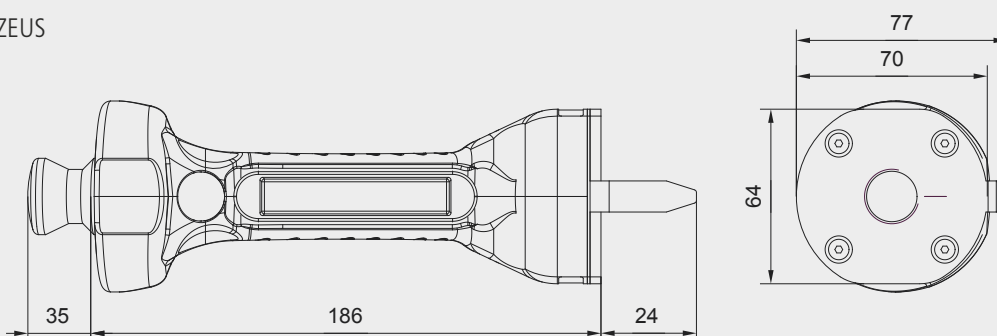
The in-hand sensor provides protection against manipulation; it detects the operators hand and reliably protects against bypass or other manipulations. The ZEUS enabling/operational unit detects via activity sensor when it is removed from the support bracket. Only then it is switched into the special operating mode. This makes sure that no unwanted operation errors occur. The ZEUS enabling/operational unit can be integrated easily into your system thanks to the universal connection via a plug, cable or terminal.



Fully equipped ZEUS

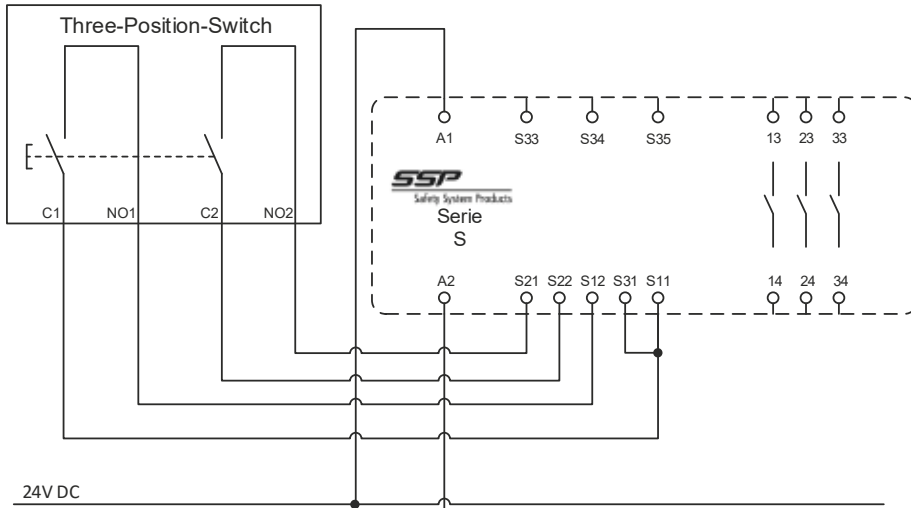
Dimensioning

ZEUS

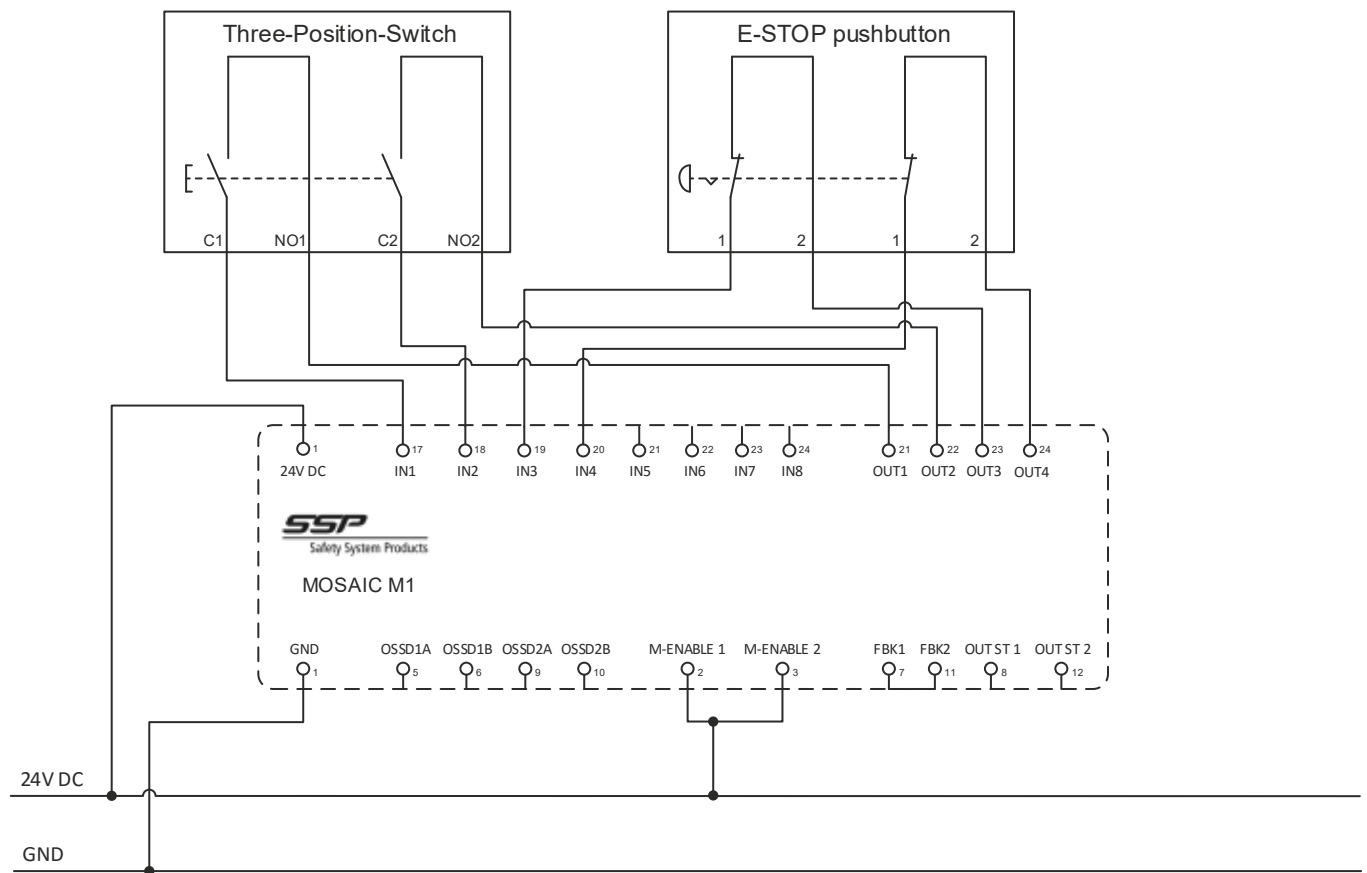


Wiring examples

Wiring with SSP safety relay S series



Wiring with MOSAIC and emergency stop switch





SSP Safety System Products GmbH & Co. KG

Max-Planck-Straße 21 · 78549 Spaichingen · Germany

Tel. +49 7424 98049-0 · Fax +49 7424 98049-99

www.safety-products.de · info@ssp.de.com



Our service partner

AUSTRIA

contra GmbH

Autokaderstraße 104 · A-1210 Wien

Tel. +43 1 2782 555-0 · Fax +43 1 2782 558

office@contra.at · www.contra.at

SPAIN

EUROTECH systems

Av. Can Lluch, 25 08690 · STA. COLOMA DE CERVELLO

Tel: +34 93 634 01 01 · Fax: + 34 93634 06 77

info@eurotechsys.com · www.eurotechsys.com

ITALY

MASAUTOMAZIONE S.R.L.

Via Galilei 20 · IT-20090 Segrate

Tel. +39 022 69 220 90 · Fax +39 022 135 420

info@masautomazione.it · www.masautomazione.it

ARGENTINA

Anton Kraus Latinoamérica S.R.L

San Lorenzo 3727 · ARG-B1636ERS Olivos Buenos Aires

Tel: +54 11 4799 3832 · Fax: + 54 11 4794 2967

info@antonkraus.com · www.antonkraus.com